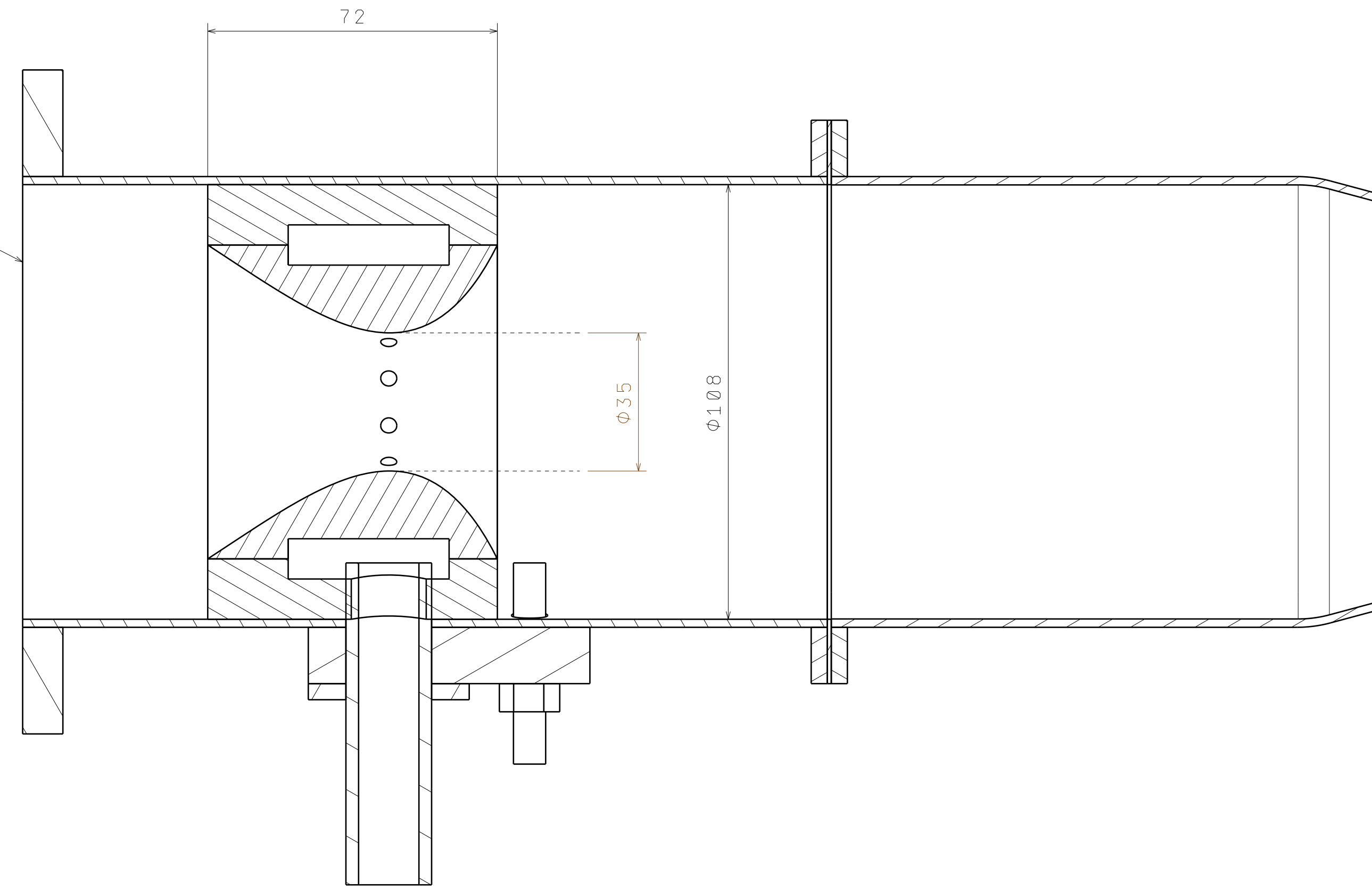
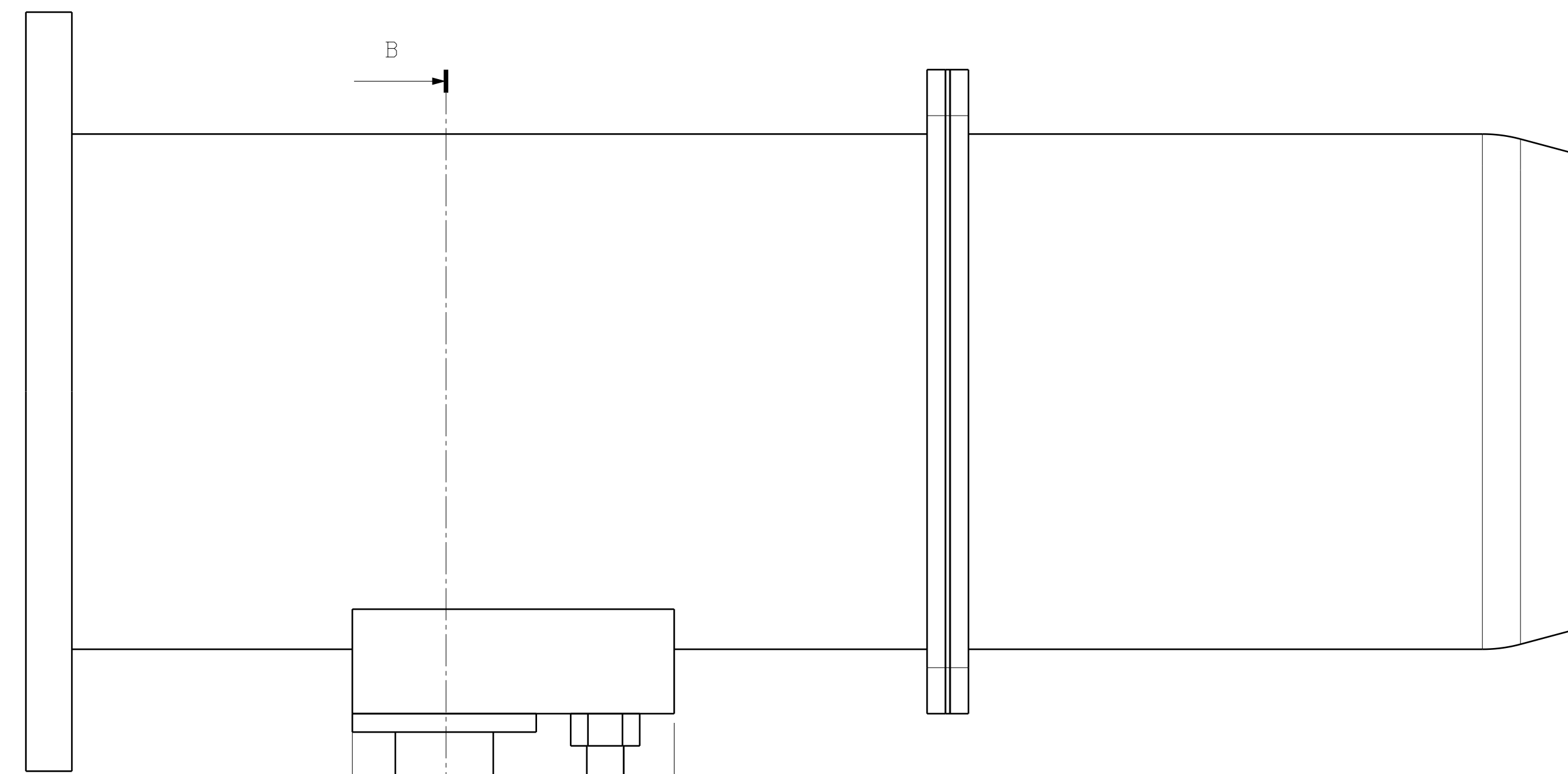


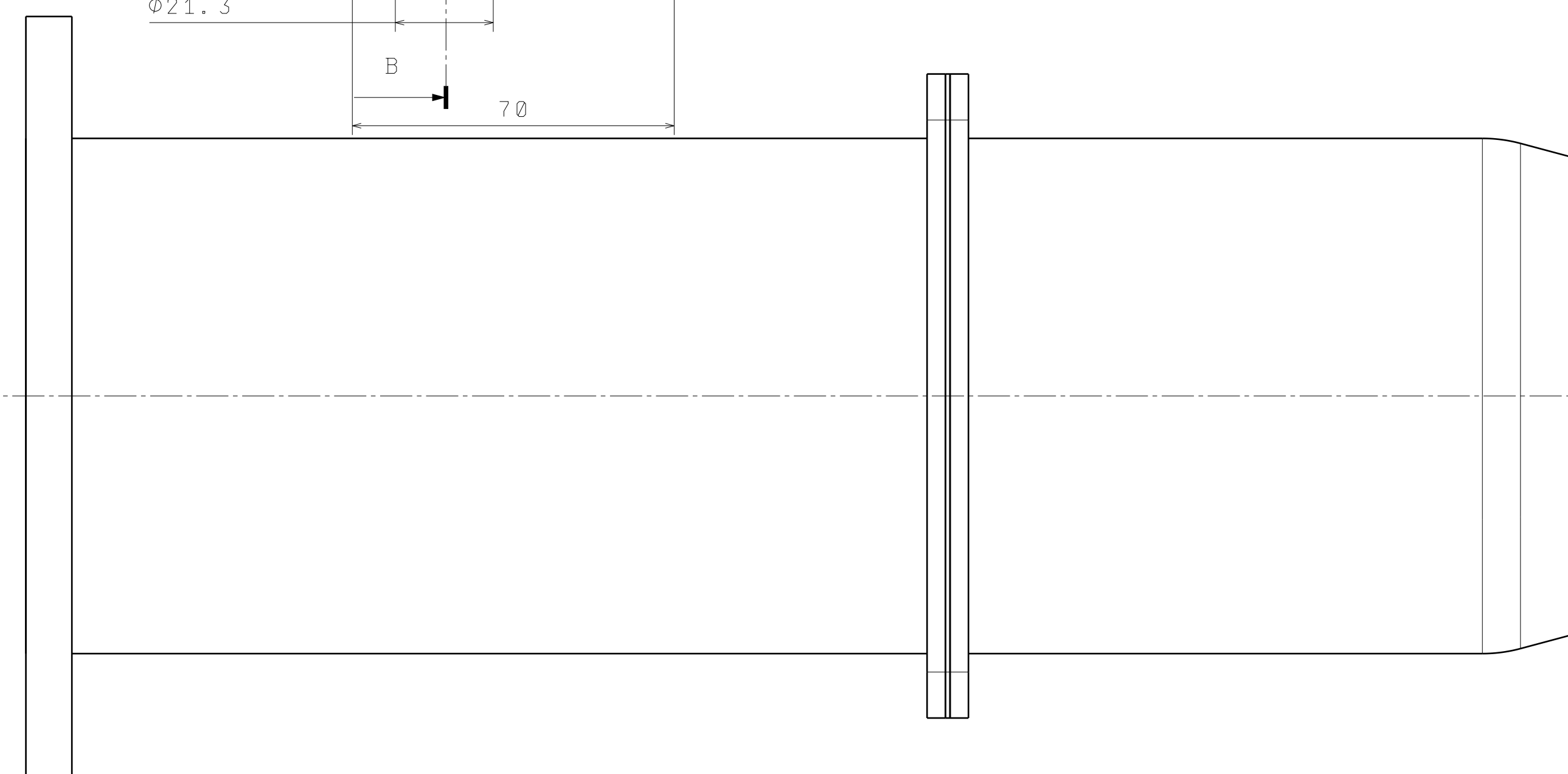
Miejsce na wentylator dokrecany do kołnierza



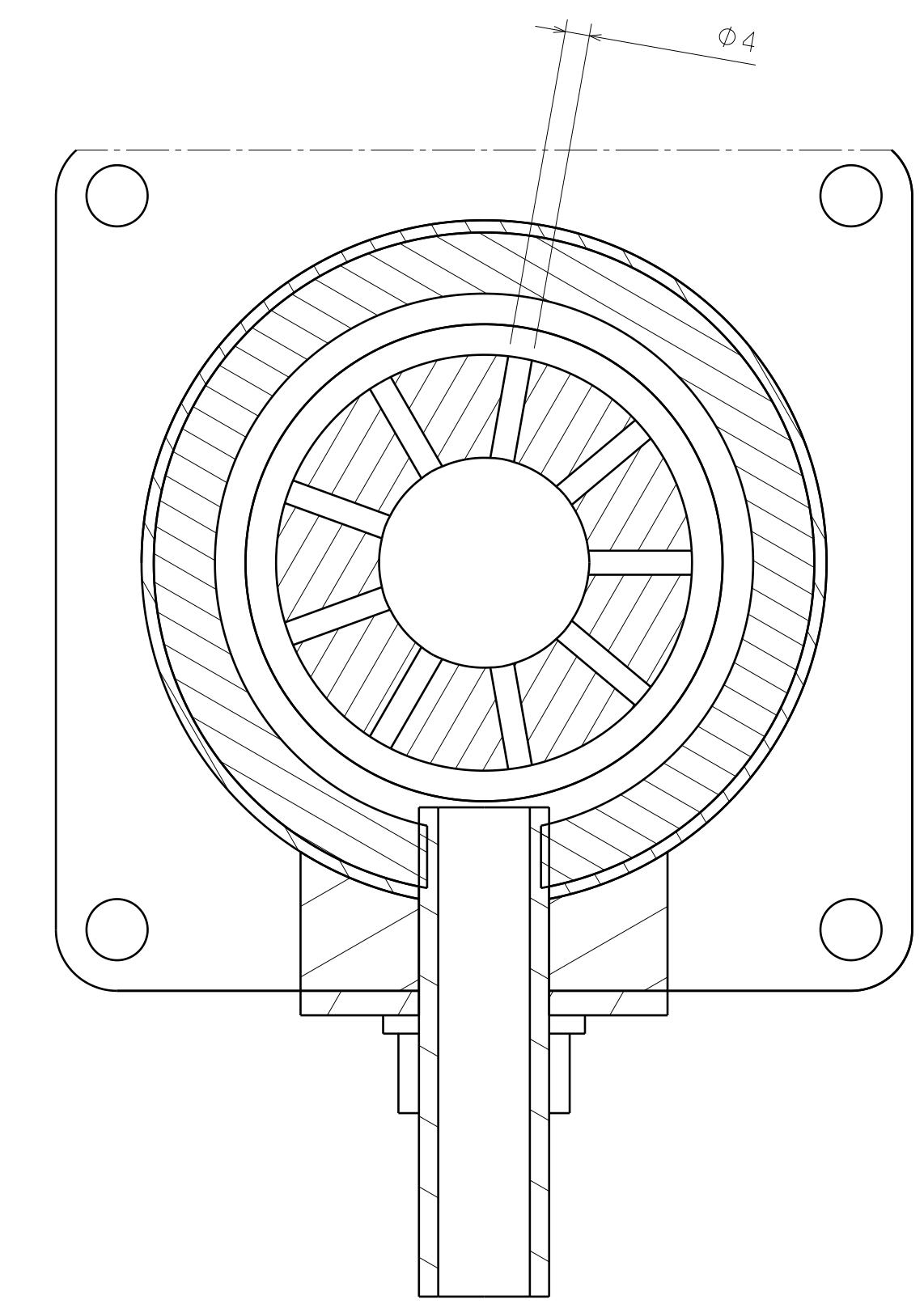
Section view A-A
Scale: 1:1



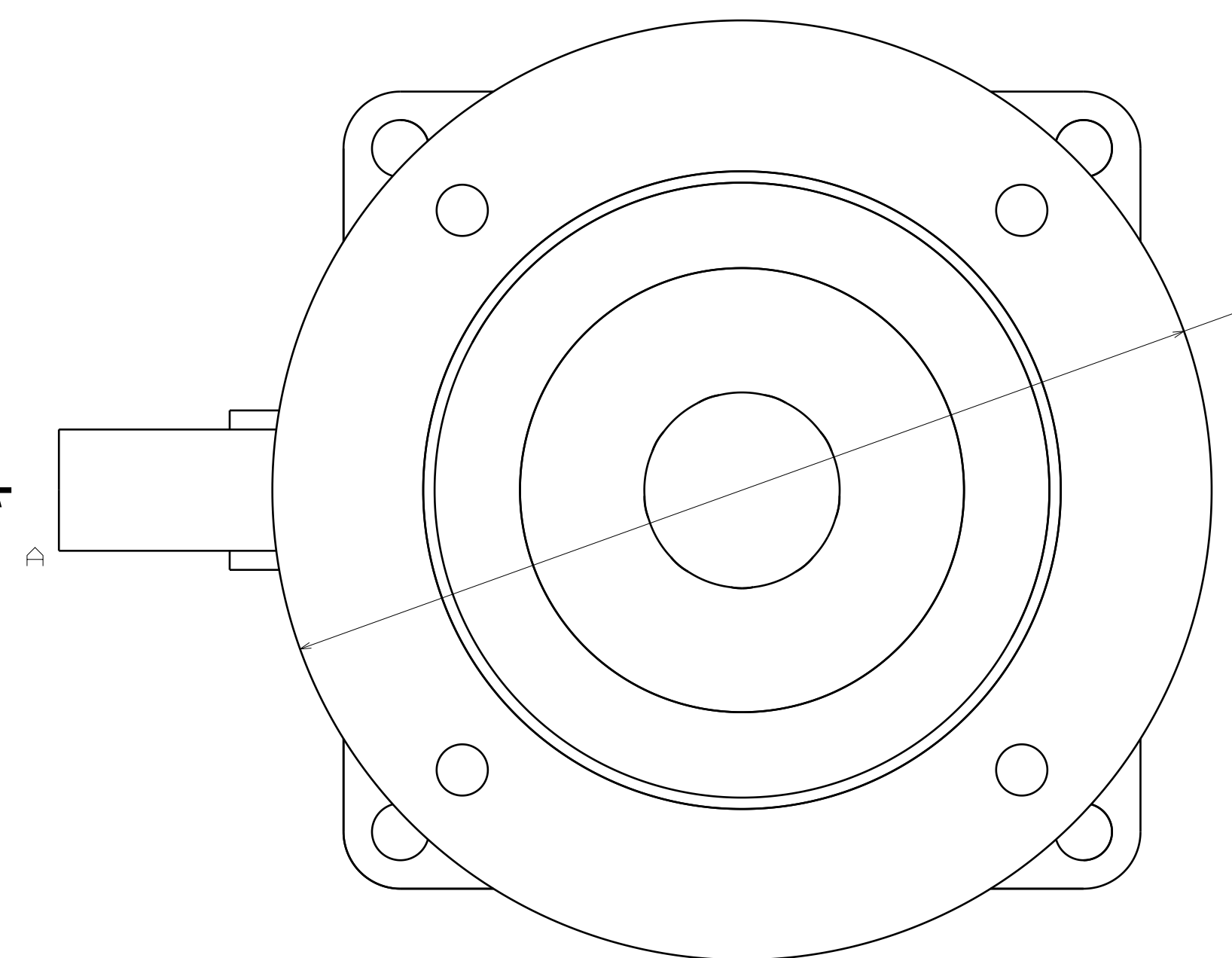
Bottom view
Scale: 1:1



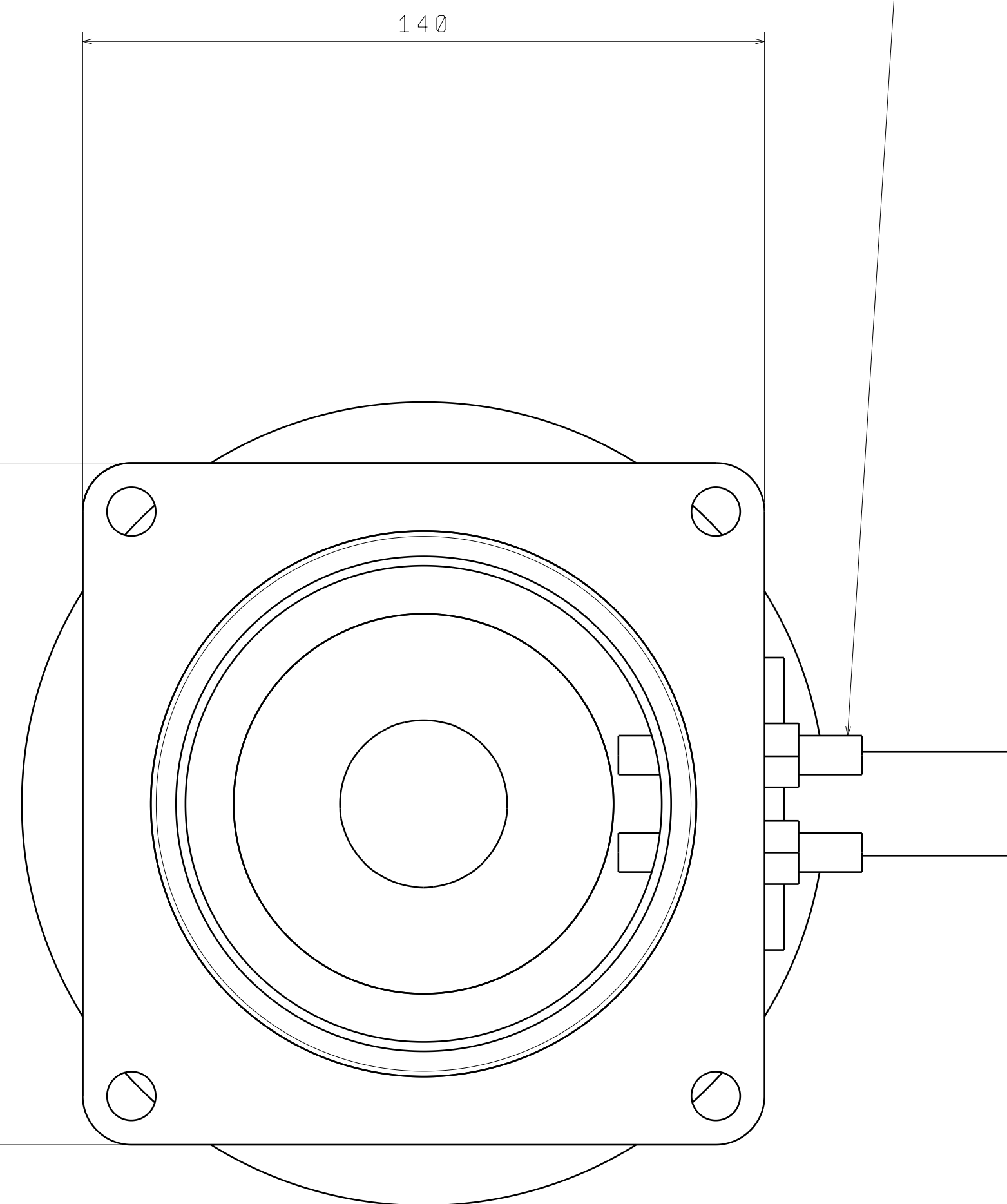
Front view
Scale: 1:1



Section view B-B
Scale: 1:1



Left view
Scale: 1:1



Right view
Scale: 1:1

Elektrody do zaplonnika

This drawing is our property. It can't be reproduced or communicated without our written agreement.				DASSAULT SYSTEMES			
DRAWN BY KGR				DATE 2018-04-23			
CHECKED BY XXX		DATE XXX		SIZE A0		DRAWING NUMBER Torufikator	
DESIGNED BY XXX		DATE XXX		SCALE 1:1		WEIGHT(kg)	
						SHEET 1/1	

340.32